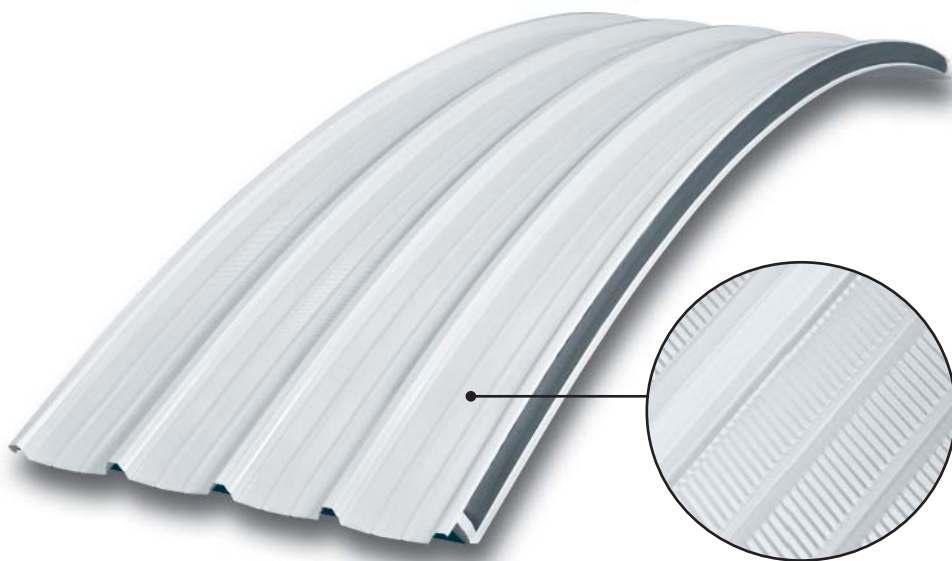
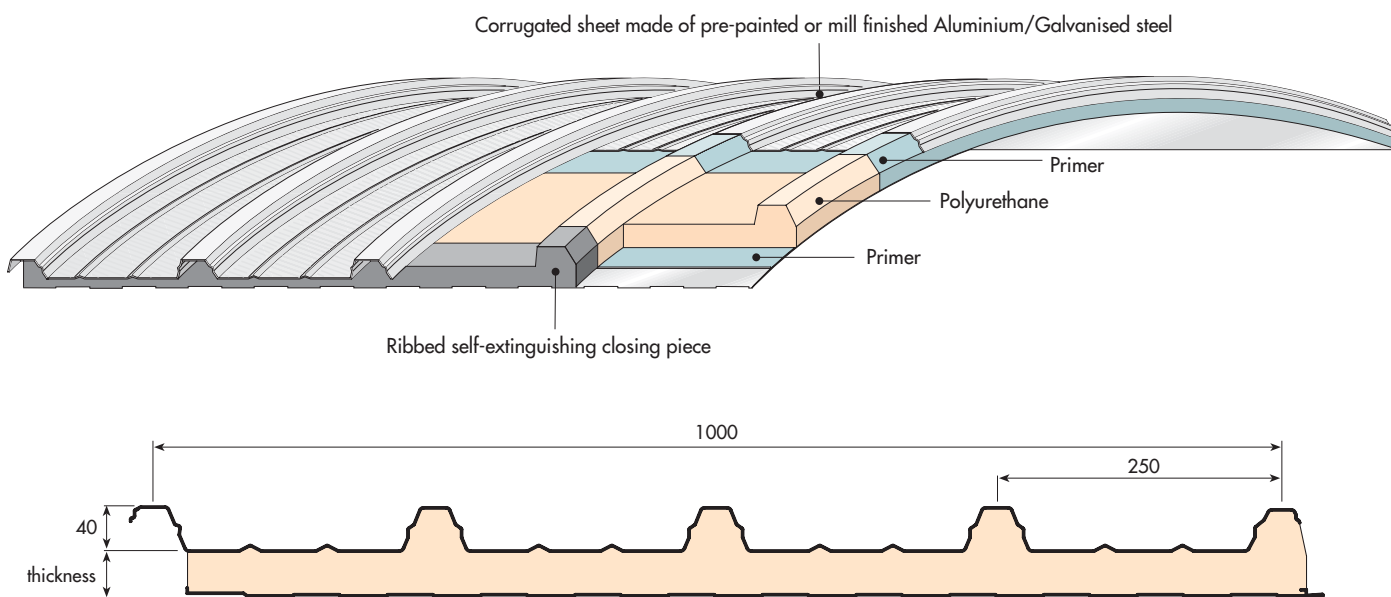




ISORAY 3.3 ISORAY 6



ISORAY is a precurved thermo-insulated, roof panel. Two radiuses are available: 3.3 m and 6 m. It has been designed to cover flat R.C. prefabricated structures, it is able to guarantee waterproofing, thermal insulation and it has either an excellent look on the lower surface. The five ribs shape adds a very high strength and excellent load resistance performances.



NOTES FOR CONSULTATION OF THE DATA CARD (reference should be made to norm AIPPEG¹ for anything not mentioned herein)

METAL SURFACES

- Sendzimir galvanised steel sheet (UNI-EN 10147).
- Galvanised steel sheet, pre-painted by means of a Coil Coating process.
- Aluminium alloy sheet, mill finish, stucco embossed or pre-painted (UNI 9003).
- Continuous pre-painting process with a 5 µm thick primer and a 20 µm paint on the item's visible side. Available in the following lines: PS-PX-PVDF (On request, ISOPAN can also supply very anticorrosive special products).
- Copper sheet (DIN 1787/17670/1791).

INSULATING LAYER

High insulation-ability rigid polyurethane produced by a self-extinguishing resin, with the following quality standards:

- thermal conductivity at 10°C: $\lambda_m = 0.020 \text{ W/mK}$
- total density: $42 \text{ kg/m}^3 \pm 10\%$
- support adhesion value: 0.10 N/mm^2
- compression value at 10% deformation: 0.11 N/mm^2

THERMAL INSULATION

The thermal transmission coefficients K specified in the product data sheet are to be considered as design specifications at 10°C; reckoning takes into account the two laminar resistances - external and internal - and useful thermal conductivity calculated at 10°C (obtained by applying the increase factor $m = 10\%$ to λ_m): $\lambda = 0.022 \text{ W/mK}$.

¹ - AIPPEG (Associazione Italiana Produttori Pannelli ed Elementi Grecati): Italian Association of Panels and Ribbed Items Manufacturers.



LOAD LIMITS (Kg/m²)

STATIC DIAGRAM		ISORAY 3.3 PANEL With 0.5 mm thick galvanized steel sheet					
INSULATION THICKNESS mm	SPAN (m)						
	1	1.5	2	2.5	2.75	3	
40	410	370	290	250	230	210	
50	490	425	340	280	260	240	
60	590	490	380	300	220	260	

STATIC DIAGRAM		ISORAY 3.3 PANEL With 0.6 mm thick aluminium external sheet and 0.5 mm thick galvanized steel internal sheet					
INSULATION THICKNESS mm	SPAN (m)						
	1	1.5	2	2.5	2.75	3	
40	400	250	210	180	165	150	
50	480	315	260	210	185	170	
60	580	380	290	230	195	180	

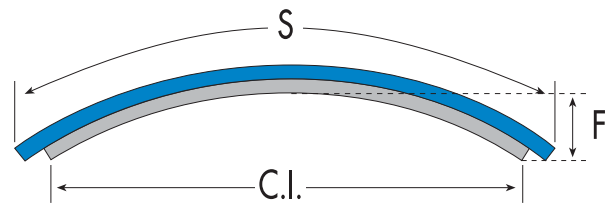
STATIC DIAGRAM		ISORAY 6 PANEL With 0.5 mm thick galvanized steel sheet									
INSULATION THICKNESS mm	SPAN (m)										
	1	1.5	2	2.5	3	3.5	4	4.5	5	5.5	5.7
40	390	256	190	190	170	150	110	85	75	62	58
50	490	323	240	220	200	170	130	100	83	67	62
60	590	390	280	240	220	190	150	120	90	73	68

STATIC DIAGRAM		ISORAY 6 PANEL With 0.6 mm thick aluminium external sheet and 0.5 mm thick galvanized steel internal sheet									
INSULATION THICKNESS mm	SPAN (m)										
	1	1.5	2	2.5	3	3.5	4	4.5	5	5.5	5.7
40	390	256	190	182	150	130	80	70	60	50	48
50	490	323	240	210	170	150	100	85	65	52	50
60	590	390	270	230	180	160	110	105	70	55	50

Note: the values shown in red indicate the admissible loads of the panel when anchored and fixed to the support.

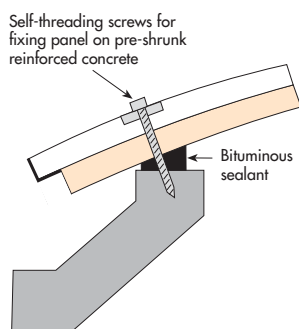
PANEL THICKNESS mm	THERMAL TRANSMISSION COEFFICIENT K		PANEL WEIGHT (Kg/m ²) WITH 0.5 mm STEEL SHEET
	Kcal/m ² h°C	Watt/m ² K	
40	0.38	0.45	10.25
50	0.32	0.38	10.65
60	0.27	0.32	11.05

DEVELOPMENT-SPAN-DEFLECTION

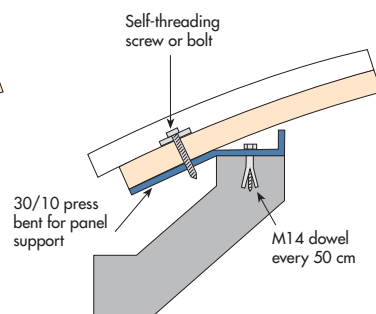


FIXING

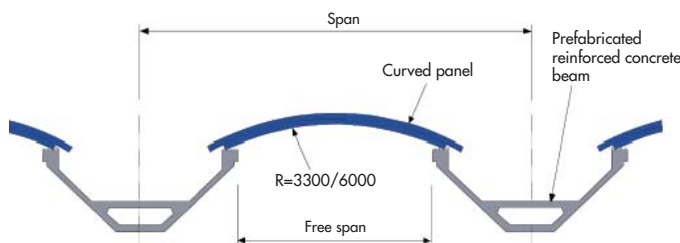
Support type A



Support type B



Kindly contact Isopan for any further queries regarding the laying and fixing system.



ISORAY 3.3 PANEL			ISORAY 6 PANEL		
SPAN C.I. (cm)	DEVELOPMENT S (cm)	DEFLECTION F (cm)	SPAN C.I. (cm)	DEVELOPMENT S (cm)	DEFLECTION F (cm)
107	118	4	150	161	5
137	148	7	200	211	8
158	170	9	250	262	13
177	190	12	300	313	19
196	210	15	350	365	26
216	230	18	400	418	34
236	252	21	450	471	44
255	273	25	500	526	55
274	293	29	550	582	67
294	316	34	570	604	72

DIMENSIONAL TOLERANCES

DEVIATIONS mm	
Length	± 10
Width	± 3
Thickness	± 2
Radius of curvature	± 10 of the nominal radius